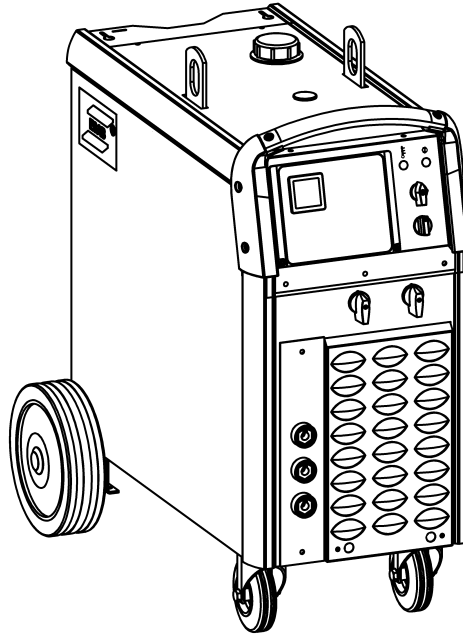


Spare parts list

Edition 20120117



Valid for serial no. 627-xxx-xxxx, 122-xxx-xxxx

Ordering no. Product

0349 302 408	Origo™ Mig 410, 400-415 V 3~50Hz
0349 302 713	Origo™ Mig 410, 230/400-415/500V 3~50Hz; 230/440-460V 3~60Hz
0349 302 407	Origo™ Mig 410w, 400-415V 3~50Hz with water cooling
0349 302 711	Origo™ Mig 410w, 230/400-415/500V 3~50Hz; 230/440-460V 3~60Hz with water cooling
0349 303 563	Origo™ Mig 410, 400-415 V 3~50Hz with digital instrument
0349 312 610	Origo™ Mig 410, 230/400-415/500V 3~50Hz; 230/440-460V 3~60Hz with digital instrument
0349 303 564	Origo™ Mig 410w, 400-415 V 3~50Hz with water cooling and digital instrument
0349 312 620	Origo™ Mig 410w, 230/400-415/500V 3~50Hz; 230/440-460V 3~60Hz with water cooling and digital instrument
0349 302 404	Origo™ Mig 510, 400-415 V 3~50Hz
0349 302 436	Origo™ Mig 510, 230/400-415/500V 3~50Hz; 230/440-460V 3~60Hz
0349 302 403	Origo™ Mig 510w, 400-415V 3~50Hz with water cooling
0349 302 435	Origo™ Mig 510w, 230/400-415/500V 3~50Hz; 230/440-460V 3~60Hz with water cooling
0349 303 565	Origo™ Mig 510, 400-415 V 3~50Hz with digital instrument
0349 312 630	Origo™ Mig 510, 230/400-415/500V 3~50Hz; 230/440-460V 3~60Hz with digital instrument
0349 303 566	Origo™ Mig 510w, 400-415 V 3~50Hz with water cooling and digital instrument
0349 312 640	Origo™ Mig 510w, 230/400-415/500V 3~50Hz; 230/440-460V 3~60Hz with water cooling and digital instrument
0349 312 340	Origo™ Mig 410 NA, 230/400-415/500V 3~50Hz; 230/440-460V 3~60Hz
0349 312 350	Origo™ Mig 510 NA, 230/400-415/500V 3~50Hz; 230/440-460V 3~60Hz

Spare parts are to be ordered through the nearest ESAB agency. Kindly indicate type of unit, serial number, denominations and ordering numbers according to the spare parts list.

Maintenance and repair work should be performed by an experienced person, and electrical work only by a trained electrician. Use only recommended spare parts.

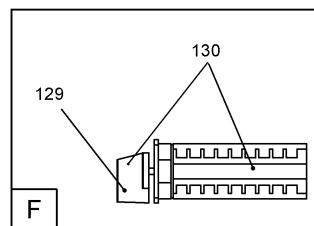
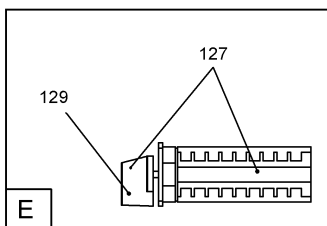
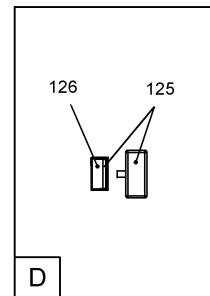
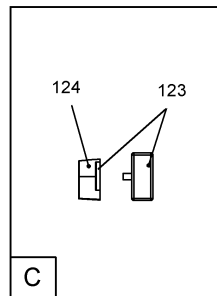
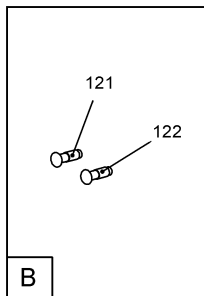
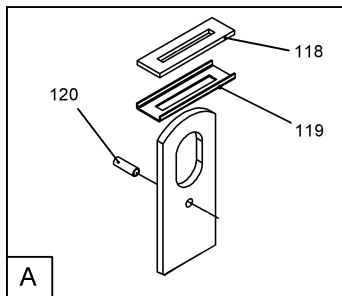
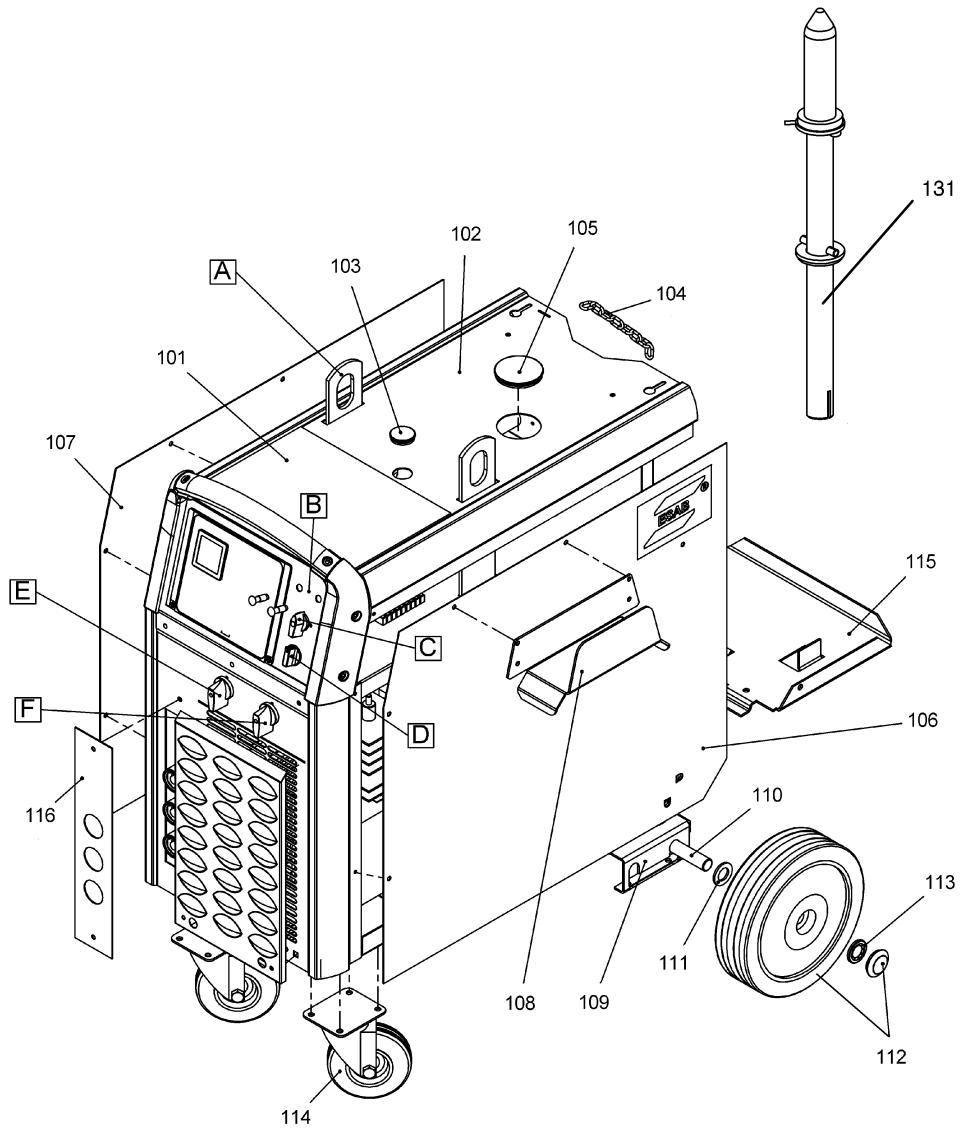
Rights reserved to alter specifications without notice.

Mig 410, Mig 510

C = component designation in the circuit diagram

Item	Qty 410	Qty 510	Ordering no.	Denomination	Notes	C
101	1	1	0349 302 564	Rubber mat		
102	1	1	0349 302 547	Cover		
103	1	1		Blind plug	Ø31	
104	1	1	0321 173 001	Securing chain	L=700	
105	1	1		Blind plug	Ø66	
106	1	1	0349 302 548	Side panel with text	right	
107	1	1	0349 302 549	Side panel with text	left	
108	1	1		Holder (A)		
109	1	1	0349 302 524	Clamp		
110	1	1	0349 490 746	Shaft		
111	2	2	0215 100 037	Washer	Ø36/21x3mm	
112	2	2	0469 872 001	Wheel	Ø250	
113	2	2	0192 859 126	Locking washer		
114	2	2	0349 304 853	Castor wheel	Ø125mm; h=150mm	
115	1	1	0349 302 558	Shelf		
116	1	-	0349 302 551	OKC plate		
	-	1	0349 302 516	OKC plate		
118	2	2	0468 797 001	Seal		
119	2	2	0468 796 001	Support plate		
120	2	2	0349 480 394	Roll pin		
121	1	1	0369 733 005	Signal lamp	orange	H2
122	1	1	0349 302 712	Signal lamp	white	H1
123	1	1	0349 303 552	Switch	valid up to serial No.: Mig 410: 627-809-6875 Mig 510: 627-809-3915	QF1
	1	1	0349 311 382	Switch		QF1
124	1	1	0349 303 553	Knob		
125	1	1	0349 302 305	Switch	only in machine with water cooling, valid up to serial No.: Mig 410: 627-809-6875 Mig 510: 627-809-3915	SA1
	1	1	0349 311 381	Switch	only in machine with water cooling	SA1
126	1	1	0349 302 253	Knob	only in machine with water cooling	
127	1	-	0193 942 001	Switch		QF2
	-	1	0349 302 645	Switch		QF2
129	2	2	0349 302 306	Knob		
130	1	-	0193 945 001	Switch		QF3
	-	1	0349 302 644	Switch	for 400-415V mains voltage	QF3
	-	1	0349 303 976	Switch	for 230-500V mains voltage	QF3
131	1	1	0349 302 412	Guide pin		

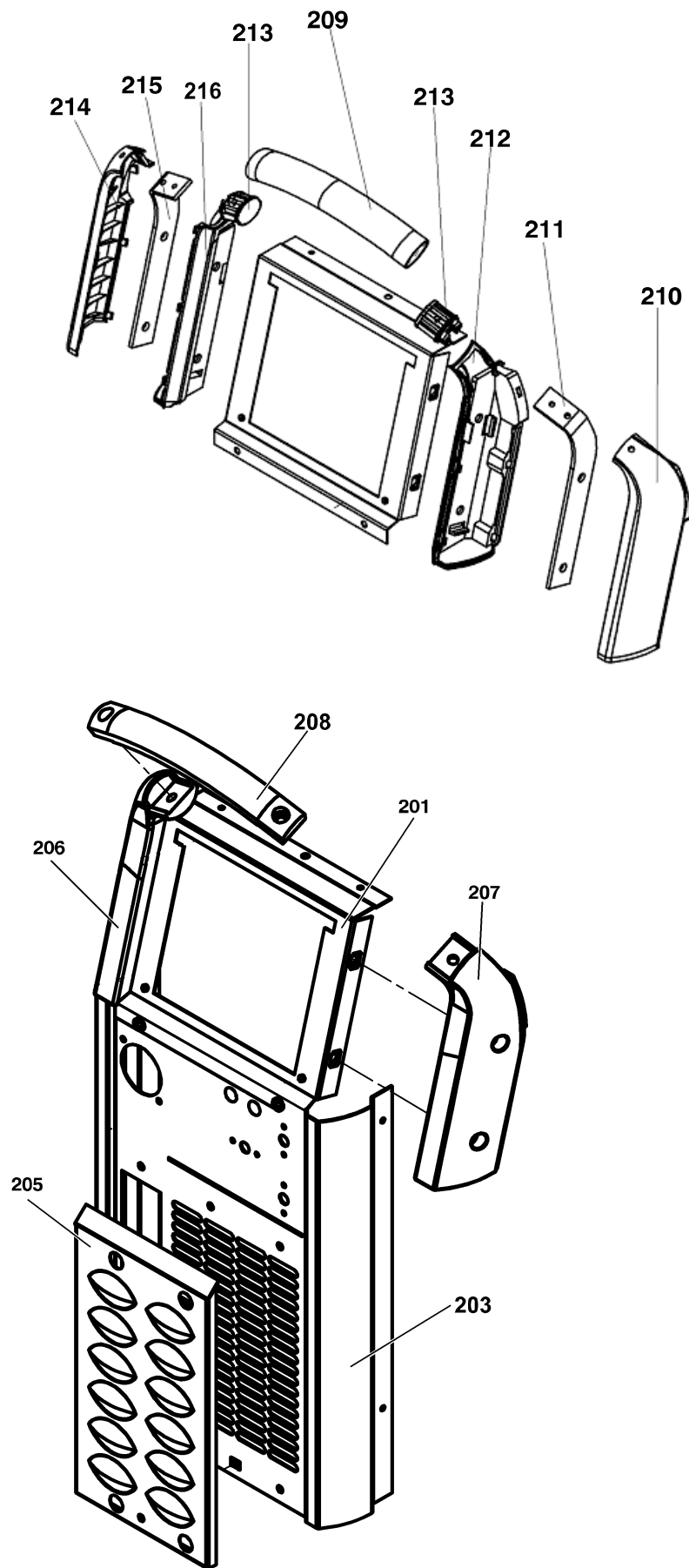
Mig 410, Mig 510



Mig 410, Mig 510

Item	Qty 410	Qty 510	Ordering no.	Denomination	Notes
201	1	1	0349 302 535	Upper front panel	With text. Only for Origo™ Mig 410w and 510w
	1	1	0349 302 536	Upper front panel	With text. Only for Origo™ Mig 410 and 510
203	1		0349 302 534	Lower front panel	
		1	0349 302 532	Lower front panel	
205	1	1	0349 302 537	Grill	
206	1	1	0349 302 282	Left corner	Valid for serial no.: xxx 5xx xxxx to xxx 9xx xxxx, xxx 0xx xxxx to xxx 111 xxxx
207	1	1	0349 302 283	Right corner	Valid for serial no.: xxx 5xx xxxx to xxx 9xx xxxx, xxx 0xx xxxx to xxx 111 xxxx
208	1	1	0349 302 538	Handle	Valid for serial no.: xxx 5xx xxxx to xxx 9xx xxxx, xxx 0xx xxxx to xxx 111 xxxx
209	1	1	0349 310 965	Handle	Valid from serial no.: xxx 112 xxxx
210	1	1	0349 311 034	Cover right	Valid from serial no.: xxx 112 xxxx
211	1	1	0349 311 035	Bracket right	Valid from serial no.: xxx 112 xxxx
212	1	1	0349 311 033	Base right	Valid from serial no.: xxx 112 xxxx
213	2	2	0349 311 039	Reduction insert	Valid from serial no.: xxx 112 xxxx
214	1	1	0349 311 037	Cover left	Valid from serial no.: xxx 112 xxxx
215	1	1	0349 311 038	Bracket left	Valid from serial no.: xxx 112 xxxx
216	1	1	0349 311 036	Base left	Valid from serial no.: xxx 112 xxxx

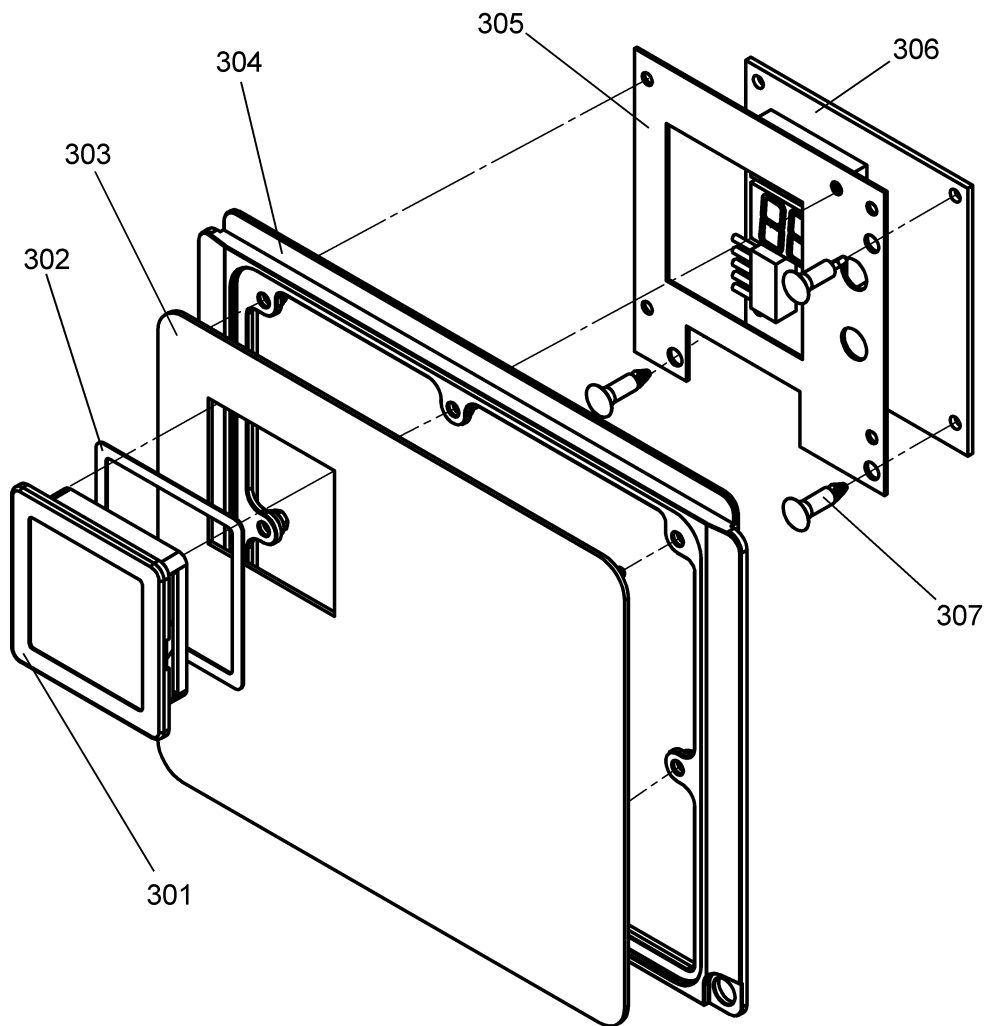
Mig 410, Mig 510



Mig 410, Mig 510

C = component designation in the circuit diagram

Item	Qty 410	Qty 510	Ordering no.	Denomination	Notes	C
301	1	1	0455 172 001	Glass		P1
302	1	1	0455 174 001	Seal		
303	1	1	0349 302 286	Panel		
304	1	1	0459 118 002	Protection frame		
305	1	1	0349 302 287	Plate		
306				Circuit board (A)	Included in digital instrument (A)	
	1	-	0349 313 036		Valid up to serial no: xxx-136-xxxx	
	1	-	0349 312 631		Valid from serial no: xxx-137-xxxx	
	-	1	0349 313 047		Valid up to serial no: xxx-136-xxxx	
	-	1	0349 312 999		Valid from serial no: xxx-137-xxxx	
307	3	3		Spacer	Included in digital instrument (A)	



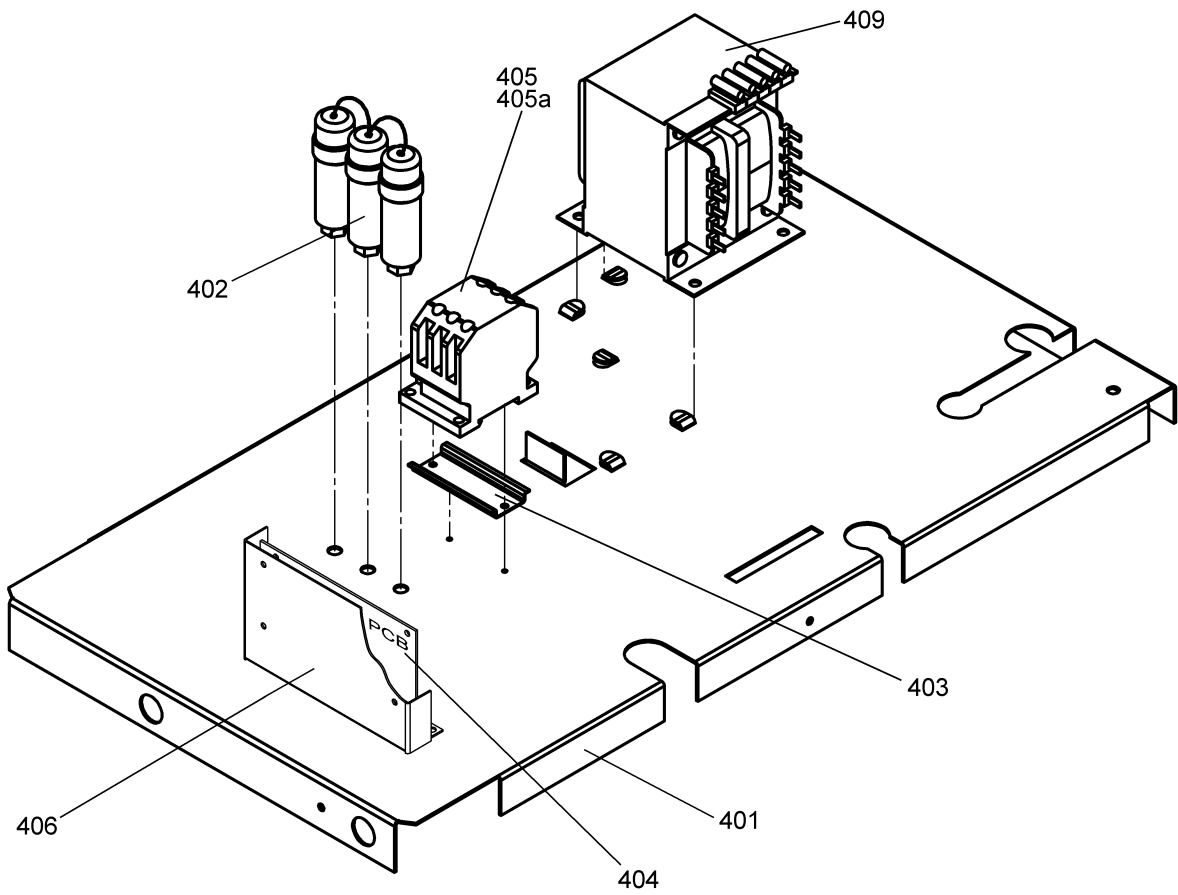
Mig 410, Mig 510

Mig 410, Mig 510

C = component designation in the circuit diagram

Item	Qty 410	Qty 510	Ordering no.	Denomination	Notes	C
401	1	1	0349 302 527	Intermediate plate		
402	1	1	0349 303 025	Filter		C1, C2, C3
403	1	1	0349 302 421	Rail	for contactors marked with (R)	
404	1	1	0349 302 392	Circuit board		AP1
410	1	-	0193 297 103	Contacteur (R)	400-415V Valid up to machine number 246-430-1648	KM1
	1	-	0349 484 212	Contacteur (R)	400-415V, together with item 410a	KM1
	1	-	0193 503 101	Contacteur	230-500V Valid up to machine number 246-433-1908	KM1
	1	-	0349 484 214	Contacteur (R)	230-500V, together with item 410a	KM1
	-	1	0191 015 102	Contacteur (R)	400-415V Valid up to machine number 246-448-0645	KM1
	-	1	0349 484 211	Contacteur (R)	400-415V	KM1
	-	1	0349 309 879	Contacteur (R)	230-500V	KM1
	410a	1	1	0349 484 366	Auxiliary contact	
406	1	1	0349 308 761	Bracket		
409	1	1	0469 882 001	Control transformer	400-415V	TC1
	1	1	0455 306 001	Control transformer	230-500V	TC1

Mig 410, Mig 510

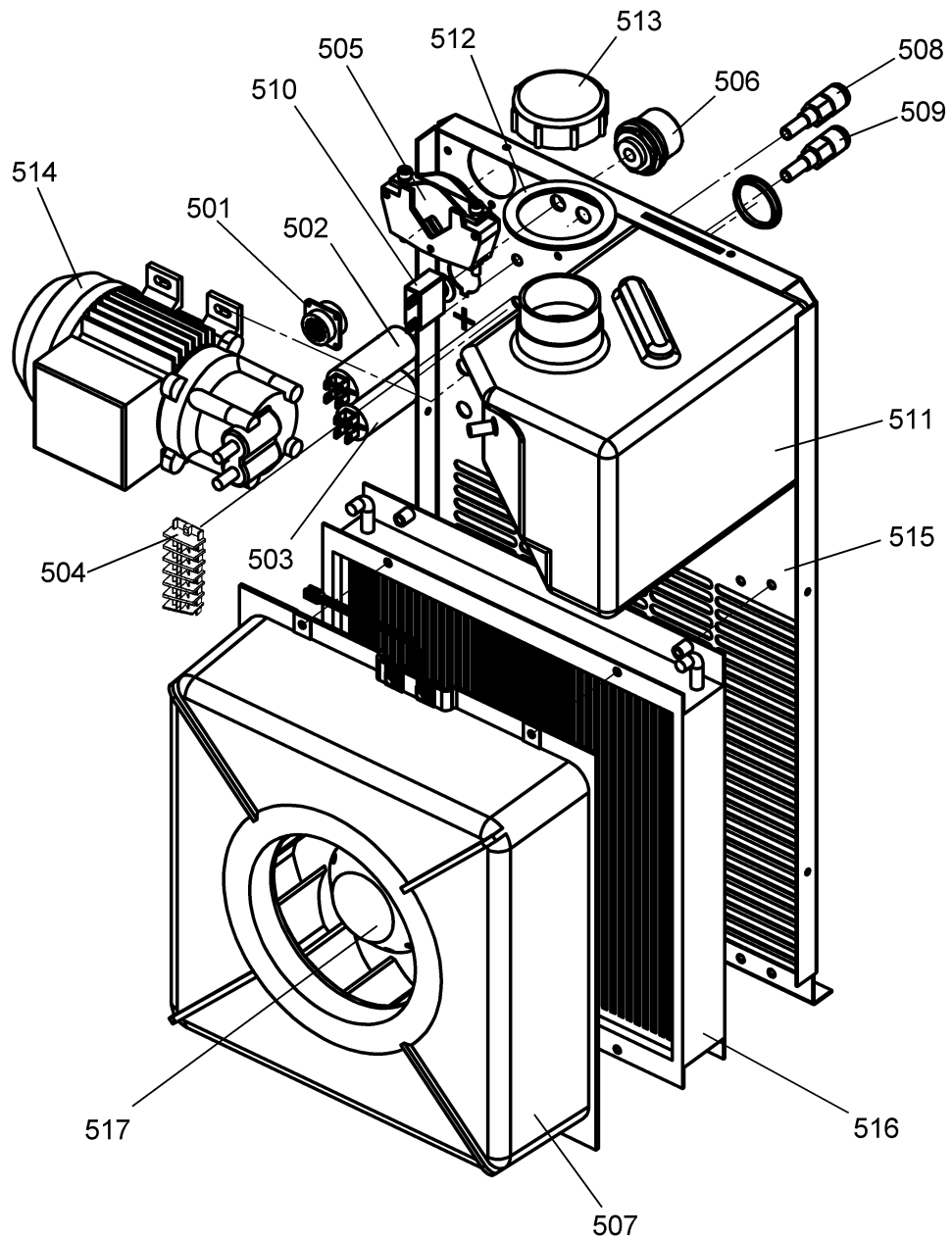


Mig 410, Mig 510

C = component designation in the circuit diagram

Item	Qty	Ordering no.	Denomination	Notes	C
501	1	0368 544 005	Sleeve socket	23 pole	XS1
502	1	0191 085 203	Capacitor	3uF 400V	C4
503	1	0191 085 206	Capacitor	6uF 400V	C5
504	1	0466 884 008	Connection block	8 pole	XT1
510	1	0469 950 880	Cable inlet		
506	1	0160 362 881	Current terminal		XS5
507	1	0469 893 001	Fan housing		
508	1	0365 803 011	Water connection	Female, red, with non-return valve. For Origo™ Mig 410w, 510w	
509	1	0365 803 012	Water connection	Female, blue, with non-return valve. For Origo™ Mig 410w, 510w	
510	1	0193 586 102	Circuit breaker		F1
511	1	0469 689 001	Water tank	Only Origo™ Mig 410w, 510w	
512	1	0366 481 004	Seal	Only Origo™ Mig 410w, 510w	
513	1	0469 689 002	Cover	Only Origo™ Mig 410w, 510w	
514	1	0459 288 001	Pump	Only Origo™ Mig 410w, 510w	M1
515	1	0349 302 531	Rear panel		
516	1	0349 311 701	Radiator	Only Origo™ Mig 410w, 510w	
517	1	0369 827 001	Fan		EV1

Mig 410, Mig 510

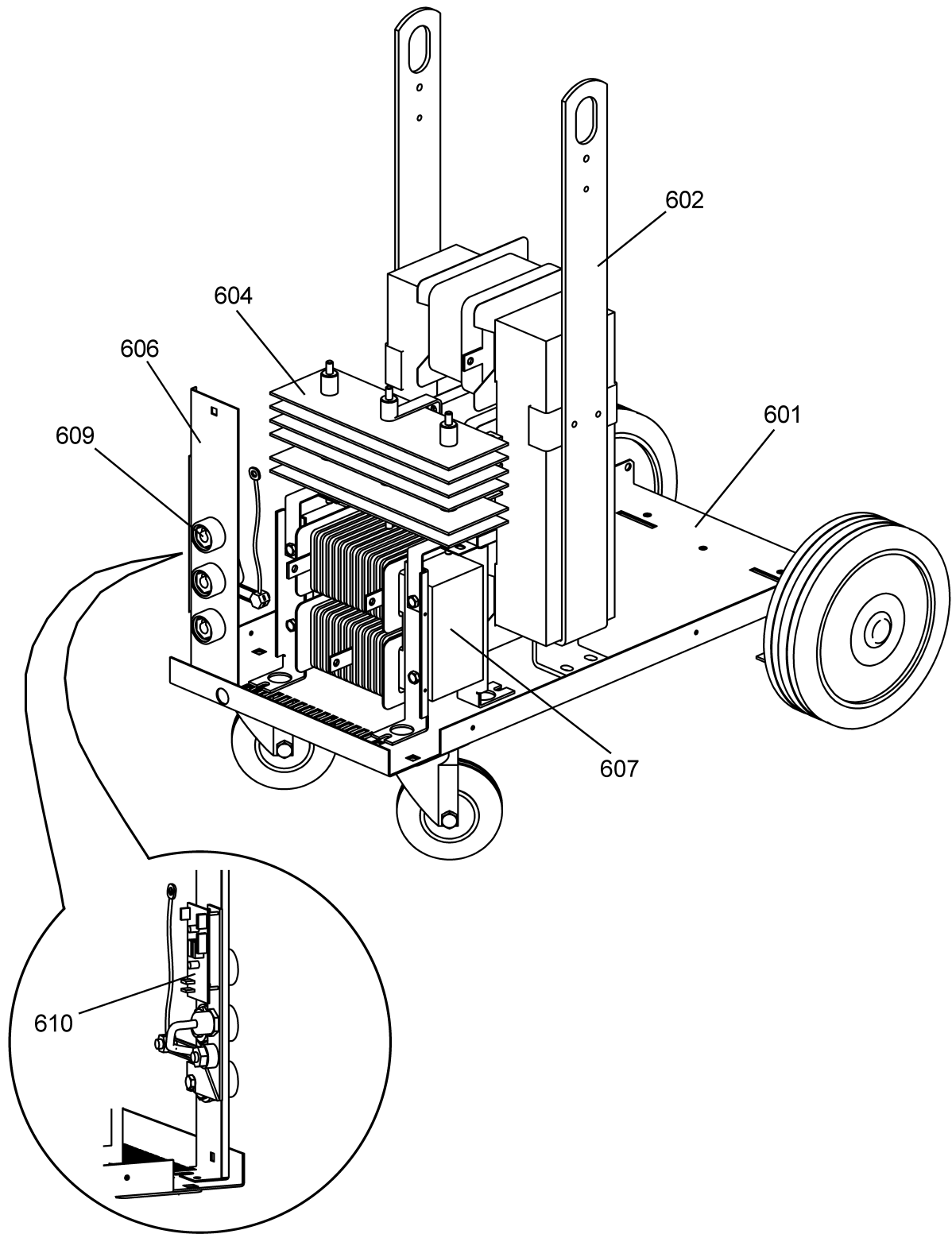


Mig 410, Mig 510

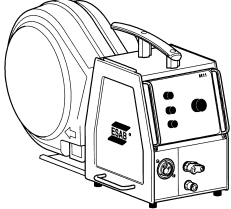
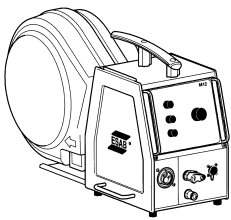
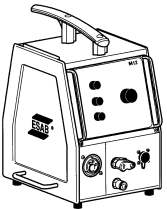
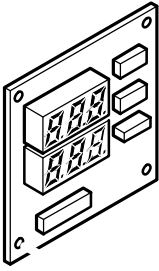
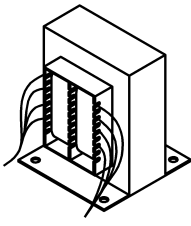
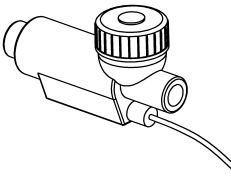
C = component designation in the circuit diagram


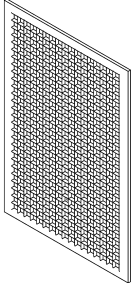
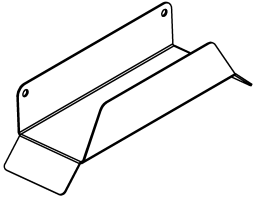
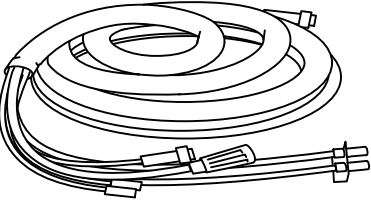
Item	Qty 410	Qty 510	Ordering no.	Denomination	Notes	C
601	1	1	0349 302 523	Bottom plate		
602	1	-	0349 302 772	Transformer	400-415V / 230-500V, with switches	TM1
	-	1	0349 302 486	Transformer	400-415V, with switches	TM1
	-	1	0349 304 401	Transformer	230-500, with switches	TM1
	-	1	0349 483 722	Thermal switch	NC, overheating, mounted on transformer	ST1
	-	1	0320 655 014	Thermal switch	NO, fan 2nd speed, mounted on transformer	ST3
604	1	-	0455 488 880	Diode bridge		V1
	-	1	0349 302 497	Diode bridge		V1
606	1	1	0349 302 498	Bracket		
607	1	-	0349 302 778	Inductor		L1
	1	-	0349 310 893	Thermal switch	NC, overheating, mounted on inductor	ST1
	1	-	0349 310 895	Thermal switch	NO, fan 2nd speed, mounted on inductor	ST3
	-	1	0349 302 499	Inductor		L1
609	2	3	0160 362 881	Current terminal		XS2, XS3, XS4
610	1	-	0349 302 787	Start booster		V7

Mig 410, Mig 510


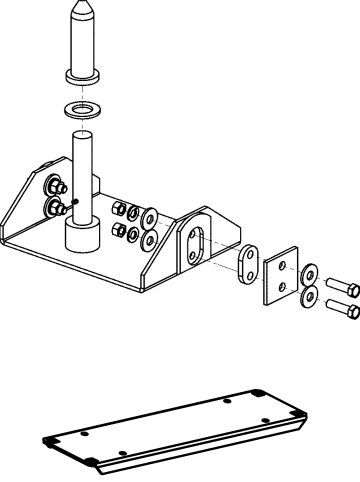


Accessories

	<p>Feeder with capsulated bobbin, M11 panel</p> <p>Feed 302 0459 116 781</p> <p>Feed 302 with water 0459 116 791</p>
	<p>Feeder with capsulated bobbin, M12 panel</p> <p>Feed 304 0459 116 882</p> <p>Feed 304 with water 0459 116 892</p> <p>Feed 484 0459 116 982</p> <p>Feed 484 with water 0459 116 992</p>
	<p>Feeder for Marathon Pac™, M12 panel</p> <p>Feed 304 0459 114 882</p> <p>Feed 304 with water 0459 114 892</p> <p>Feed 484 0459 114 982</p> <p>Feed 484 with water 0459 114 992</p>
	<p>Digital meter</p> <p>for Mig 410 0349 302 451</p> <p>for Mig 510 0349 302 424</p>
	<p>Transformer kit for CO₂ heater 0349 302 250</p>
	<p>Water flow guard 0349 302 251</p>

	<p>Coolant ready mixed (5 l) 0349 483 296</p>
	<p>Filter 0349 302 423</p>
	<p>Cable holder 0349 303 362</p>
	<p>Connection sets for 400A machines</p> <p>Connection set 1,7m 0469 836 880</p> <p>Connection set 10m 0469 836 881</p> <p>Connection set 15m 0469 836 882</p> <p>Connection set 25m 0469 836 883</p> <p>Connection set 35m 0469 836 884</p> <p>Connection set 1,7m, water 0469 836 885</p> <p>Connection set 10m, water 0469 836 886</p> <p>Connection set 15m, water 0469 836 887</p> <p>Connection set 25m, water 0469 836 888</p> <p>Connection set 35m, water 0469 836 889</p> <p>Connection sets for 500A machines</p> <p>Connection set 1,7m 0469 836 890</p> <p>Connection set 10m 0469 836 891</p> <p>Connection set 15m 0469 836 892</p> <p>Connection set 25m 0469 836 893</p> <p>Connection set 35m 0469 836 894</p> <p>Connection set 1,7m, water 0469 836 895</p> <p>Connection set 10m, water 0469 836 896</p> <p>Connection set 15m, water 0469 836 897</p> <p>Connection set 25m, water 0469 836 898</p> <p>Connection set 35m, water 0469 836 899</p>

Mig 410, Mig 510

	<p>Stabilizer 0349 303 474</p>
	<p>CB KIT (cpl.) 0349 305 812 CONTAINS: - KIT for Counter Balance (0349 309 748) - Stabilizer (0349 303 474)</p>

